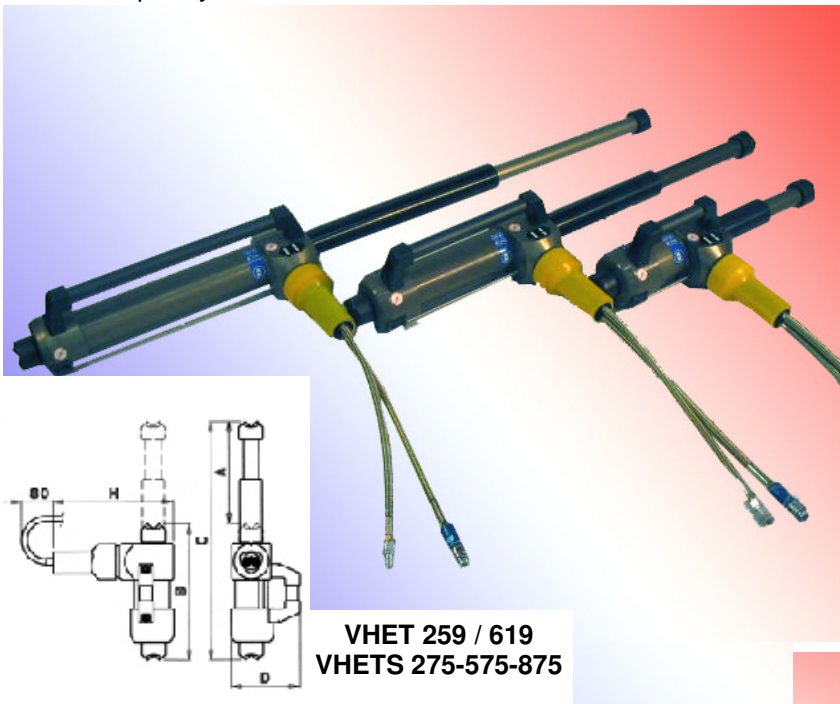


# Telescopic Hydraulic Rams

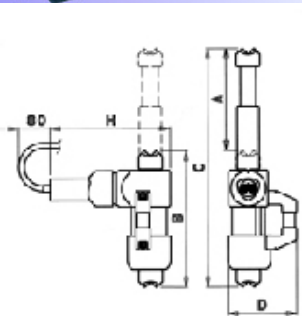
MADE IN FRANCE



## ▼ Telescopic Hydraulic Rams VHET et VHETS



Lightweight and effective for limited space applications



VHET 259 / 619  
VHETS 275-575-875

### DESCRIPTION

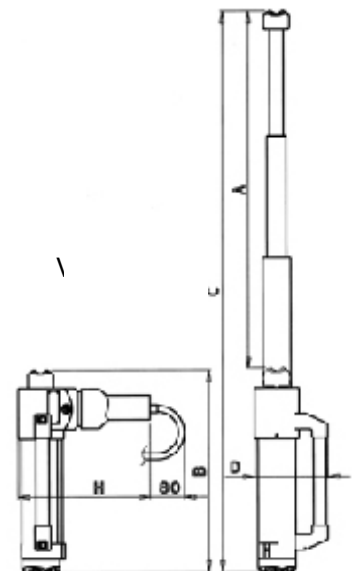
Unit is made of hardened high strength light alloy.  
Can be used in wet conditions.

Tool comprises:

- 1 Double action cylinder
- 1 Ergonomically shaped control handle with integral safety device and piloting check valves
- 1 Set of 0.5 meter long hoses, automatic locking anti-pollution HP quick action couplers with metal protection plugs.
- Universal swivel fitting
- Pressure relief valve for hose on coupler end

### OPTION:

- Horizontal control handle support (see photo VHET 820).



### CHARACTERISTICS

Model	VHET 259	VHET 619	VHET 820	VHETS 275	VHETS 575	VHETS 875
Operating pressure	700 bar	700 bar	700 bar	700 bar	700 bar	700 bar
Max. force on first piston	230 kN	230 kN	262 kN	260 kN	260 kN	260 kN
Max. force on second piston	68 kN	68 kN	137.5 kN	119 kN	119 kN	119 kN
Max. force on third piston	—	—	38,5 kN	—	—	—
Stroke A	260 mm	620 mm	820 mm	275 mm	575 mm	875 mm
Minimum length B	340 mm	516 mm	480 mm	345 mm	515 mm	640 mm
Maximum length C	600 mm	1136 mm	1 300 mm	620 mm	1 080 mm	1 515 mm
Weight	12,6 kg	16,6 kg	22 kg	12,35 kg	15,45 kg	20 kg
Dimensions (mm) B x H x D	340x306x172	516x306x172	473x306x180	345x316x178	515x316x178	640x316x178
Working oil	236 cc	570 cc	397 cc	229 cc	465 cc	701 cc
Compliance EN 13204	TR 230/162-83/100-12,6	TR 230/342-83/280-16,6		TR 260/168-119/110-12,35	TR 260/316-119/259-15,45	TR 260/467-119/408-20

Powerful, Lightweight and Reliable in Rescue Operations